

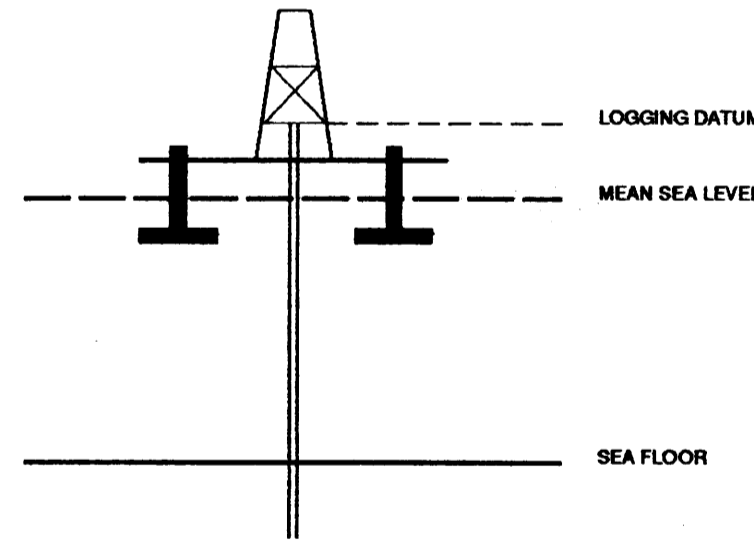
SEISMIC CALIBRATION LOG



(Adjusted Continuous Velocity Log)

Company: BHP PETROLEUM PTY. LTD.
 Well: CHAMPION-1
 Field: WILDCAT
 Country: AUSTRALIA
 Reference No: SYJ-561142/561143 Interval: 1845.00 to 1220.00
 Date Logged: 15 AUG. 1995 Date Processed: 17 AUG 1995
 Location: 038 32' 33.054" S 142 23' 18.066" E
 Elevations: KB: 25.30 DF: 25.00 GL: -54.00
 Permanent Datum: MSL Depth Units: METRES
 FIELD RECORDING: Engineer: R.JONSSON Location: Program Version: 700-427
 COMPUTATION: Analyst: S.TCHERKASHNEV Centre: SYJ Baseline: 20.5

ELEVATION ABOVE MEAN SEA LEVEL
 Logging Datum: 25.30
 Seismic Reference Datum: 0.00



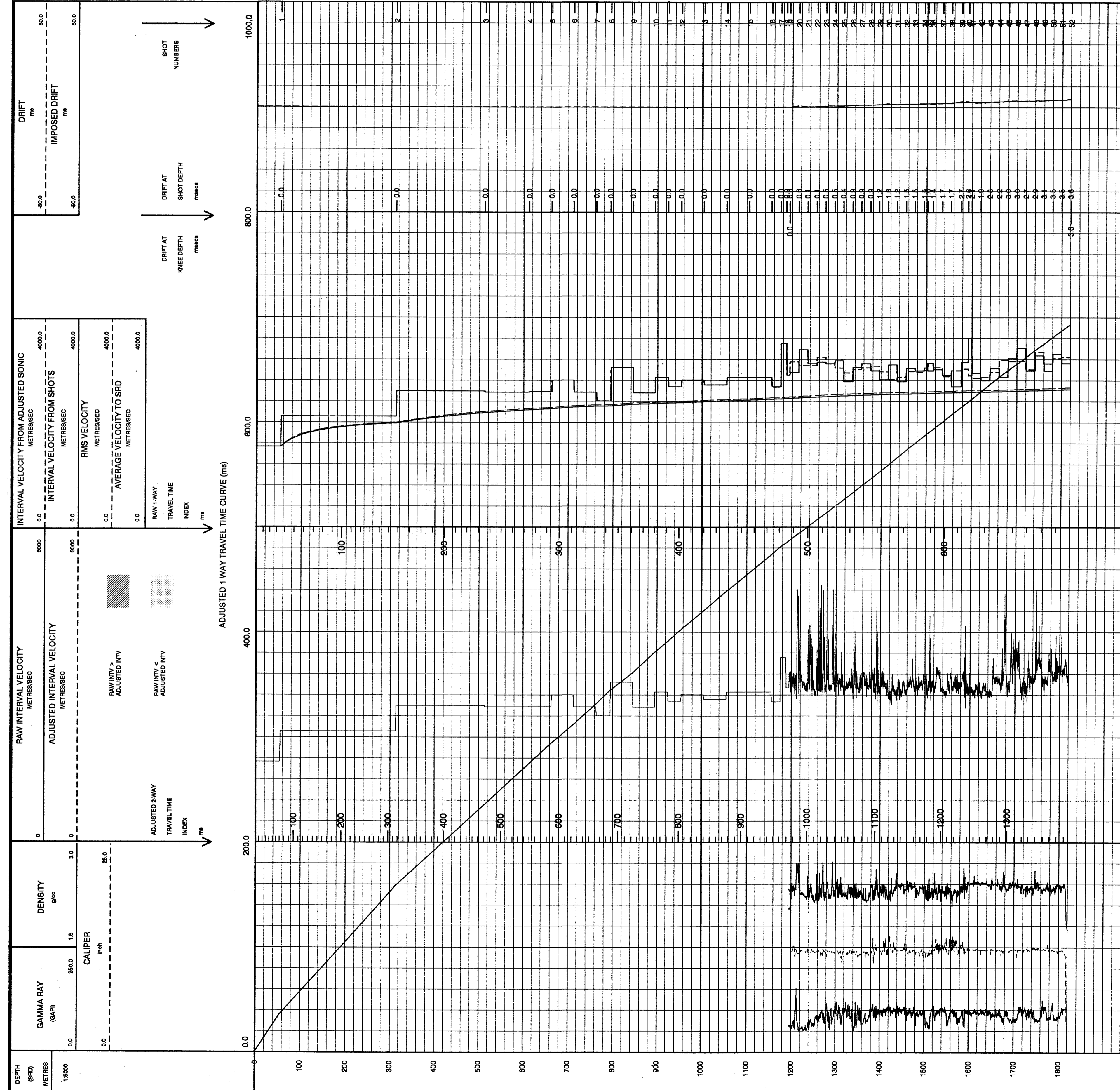
Total Number of Levels: 45
 Depth Reference: SRD
 Time Reference: SRD

Run	Date	Tool Type	Bit Size/Depth	Casing Size/Depth	Top Depth	Bottom Depth
1	15-07-96	DLL	12.25 IN	13.3 IN/1216 M	1216 M	1856 M

VSP Run	Date	Gun Offset	Hydro Offset	Gun Elevation	Hydro Elevation	Gun Azimuth	Hydro Azimuth
1	15-07-95	45 M	45 M	5 M BELOW MSL	10 M BELOW MSL	90 DEG	90 DEG

REMARKS

All interpretations are based on information from electrical or other measurements and we warrant, and do not guarantee the accuracy or completeness of any information or data provided to us by our customers. We are not responsible for any loss, costs, damages or expenses incurred or sustained by our customers or their employees, agents or employees. These interpretations are also subject to Clause 4 of our General Terms and Conditions as set out in our current Price Schedule.
 The well name, location and borehole reference data were furnished by the customer.



COMPANY BHP PETROLEUM PTY. LTD.
 FIELD WILDCAT
 WELL CHAMPION-1
 COUNTRY AUSTRALIA

