

SEISMIC CALIBRATION LOG

(Adjusted Continuous Velocity Log)

Company: CRUSADER RESOURCES N.L.

Well: MACALISTER #1 W.C.R.

Field: WILDCAT

Country: AUSTRALIA

Reference No: 569150 Interval: 1447.00 to 179.00

Date Logged: 02/04/88 Date Processed: 12/04/88

Location: 038 21' 02.36" S 147 08' 16.00" E

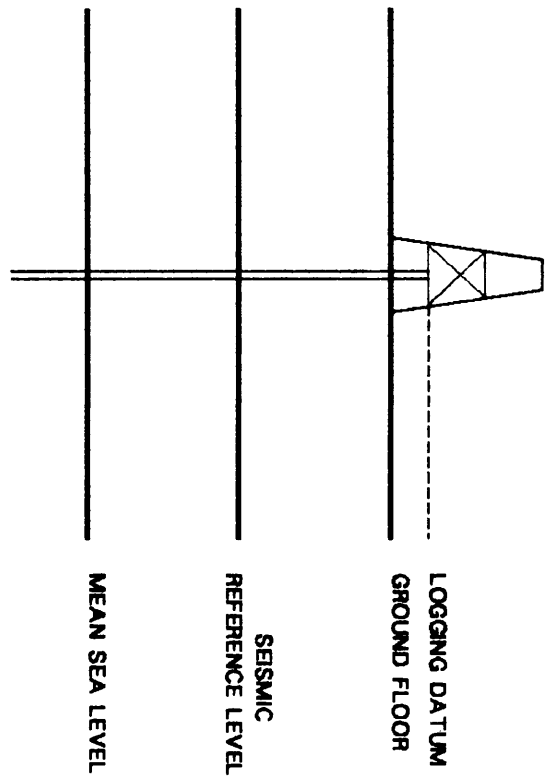
Elevations: KB: 20.00 DF: 19.50 GL: 16.00

Permanent Datum: MSL Depth Units:

ELEVATION ABOVE MEAN SEA LEVEL

Logging Datum: 20.00

Seismic Reference Datum: 0.00

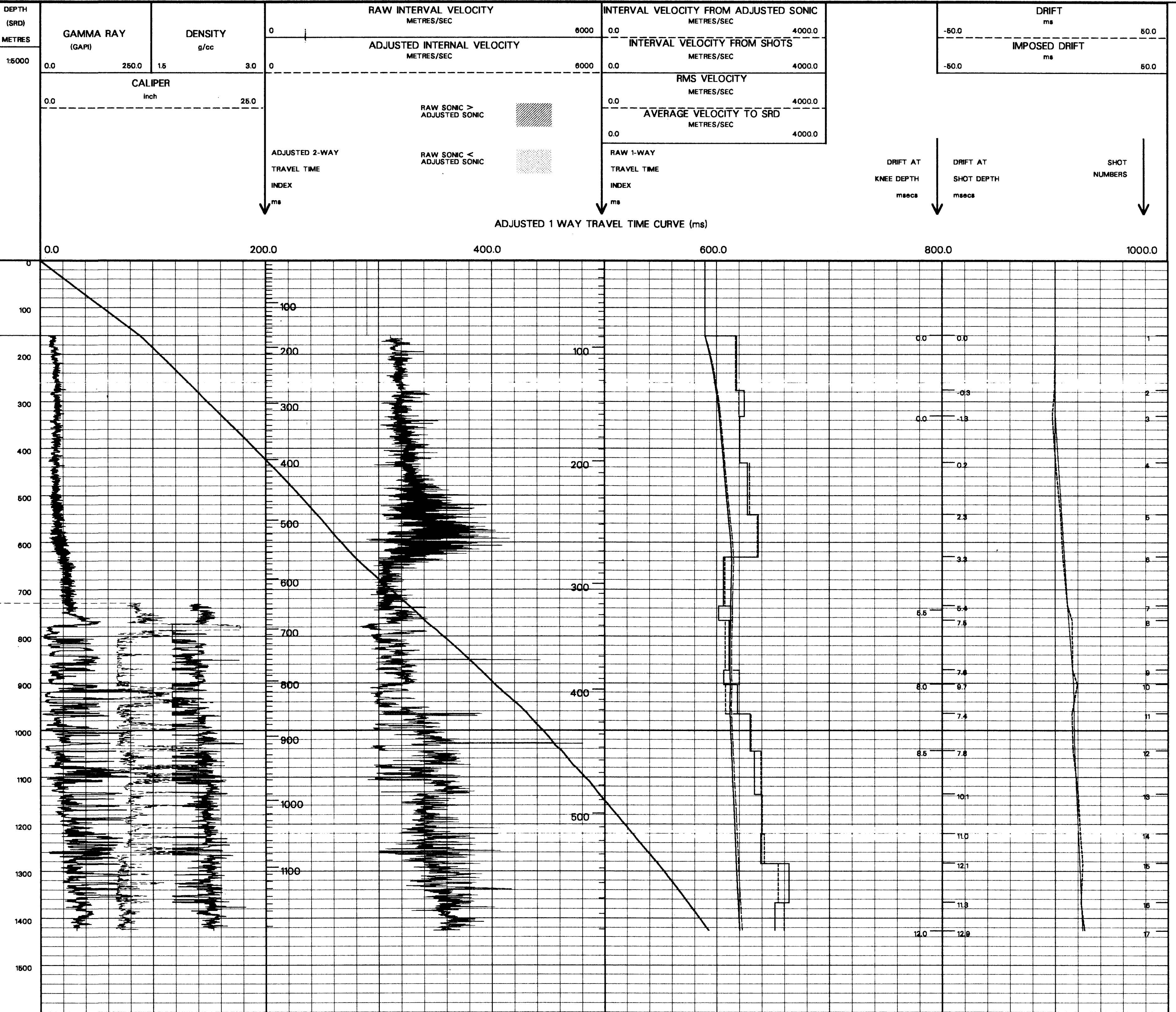


Total Number of Levels
Depth Reference
Time Reference

Run	Date	Tool Type	Bit Size/Depth	Casing Size/Depth	Top Depth	Bottom Depth
VSP Run	Date	Gun Offset	Gun Elevation	Gun Elevation	Gun Amnuth	Gun Amnuth

FOLD HERE The well name, location and borehole reference data were furnished by the customer.

All interpretations are opinions based on inferences from electrical or other measurements and we cannot, and do not guarantee the accuracy or correctness of any interpretations, and we shall not, except in the case of gross or willful negligence on our part, be liable or responsible for any loss, costs, damages or expenses incurred or sustained by anyone resulting from any interpretations made by any of our officers, agents or employees. These interpretations are also subject to Clause 4 of our General Terms and Conditions as set out in our current Price Schedule.



COMPANY CRUSADER RESOURCES N.L.
FIELD WILDCAT
WELL MACALISTER #1
COUNTRY AUSTRALIA