



VERTICAL SEISMIC PROFILE

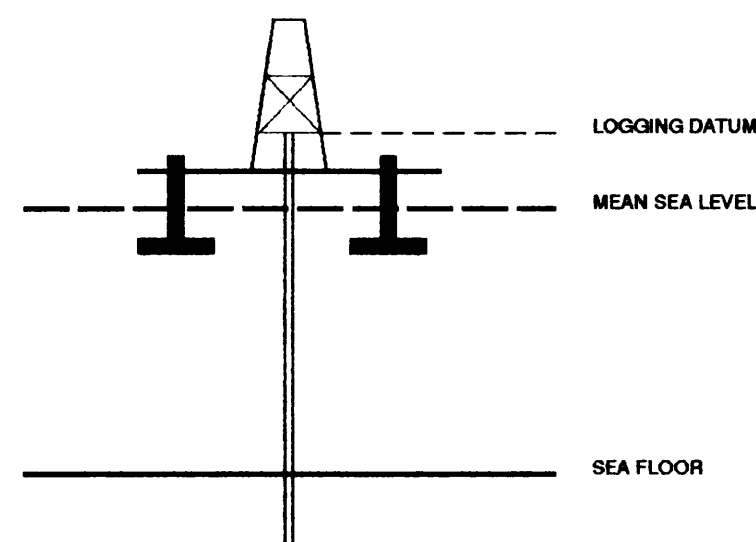
ZERO OFFSET VSP PLOT 2
AMPLITUDE RECOVERY

Company: ESSO AUSTRALIA LTD.
Well: ORANGE ROUGHY 1
Field: WILDCAT
Country: AUSTRALIA
Reference No: SYJ.561133/561134 Interval: 2614.00 to 164.00
Date Logged: 27-JUN-1995 Date Processed: 21-JULY-1995
Location: 038 34' 56.99" S 148 02' 30.99" E
Elevations: KB: 25.00 DF: 24.70 GL: -75.00
Permanent Datum: MSL Depth Units: METRES

FIELD RECORDING: Engineer: P.M. LUBRANO Location: VEA Program Version: 700-427
COMPUTATION: Analyst: A. WILSONO Centre: SYJ Baseline: 20.5

ELEVATION ABOVE MEAN SEA LEVEL

Logging Datum: 25.00
Seismic Reference Datum: 0.00



Total Number of Levels: 38
Depth Reference: SRD
Time Reference: SRD

Run	Date	Tool Type	Bit Size/Depth	Casing Size/Depth	Top Depth	Bottom Depth
ONE	16-JUN-1995	AS-LDL	17.5 IN		62 M	753 M
TWO	26-JUN-1995	DL-LDL-AS	12.25 IN		741 M	2005 M

VSP Run	Date	Gun Offset	Hydro Offset	Gun Elevation	Hydro Elevation	Gun Azimuth	Hydro Azimuth
ONE	27-06-1995	50 M	50 M	5 M BELOW MSL	10 M BELOW MSL	248 DEG	248 DEG

All interpretations are optional based on information from electrical or other measurements and we cannot, and do not guarantee the accuracy or correctness of any interpretations, and we shall not, except in the case of gross or willful negligence on our part, be liable or responsible for any loss, cost, damage or expense incurred or sustained by anyone resulting from any interpretations made by any of our officers, agents or employees. These interpretations are also subject to change if our general terms and conditions as set out in our current price schedule.

FIELD HERE

*** AMPLITUDE RECOVERY ***
VERTICAL COMPONENT.

PROCESSING SEQUENCE:

MEDIAN STACK APPLIED
STATIC CORRECTION TO MSL: APPLIED
BAND PASS FILTER : 5-100 HZ
NORMALISATION GATE : 100 MS
TIME VARYING GAIN : T/TO**1.00

VERTICAL SCALE : 10 CM/SEC
POLARITY (S.E.G.) : REVERSE

*** AMPLITUDE RECOVERY ***
VERTICAL COMPONENT.

PROCESSING SEQUENCE:

MEDIAN STACK APPLIED
STATIC CORRECTION TO MSL: APPLIED
BAND PASS FILTER : 5-100 HZ
NORMALISATION GATE : 100 MS
TIME VARYING GAIN : T/TO**1.00

VERTICAL SCALE : 10 CM/SEC
POLARITY (S.E.G.) : NORMAL

*** STACKED DATA ***
VERTICAL COMPONENT.

PROCESSING SEQUENCE:

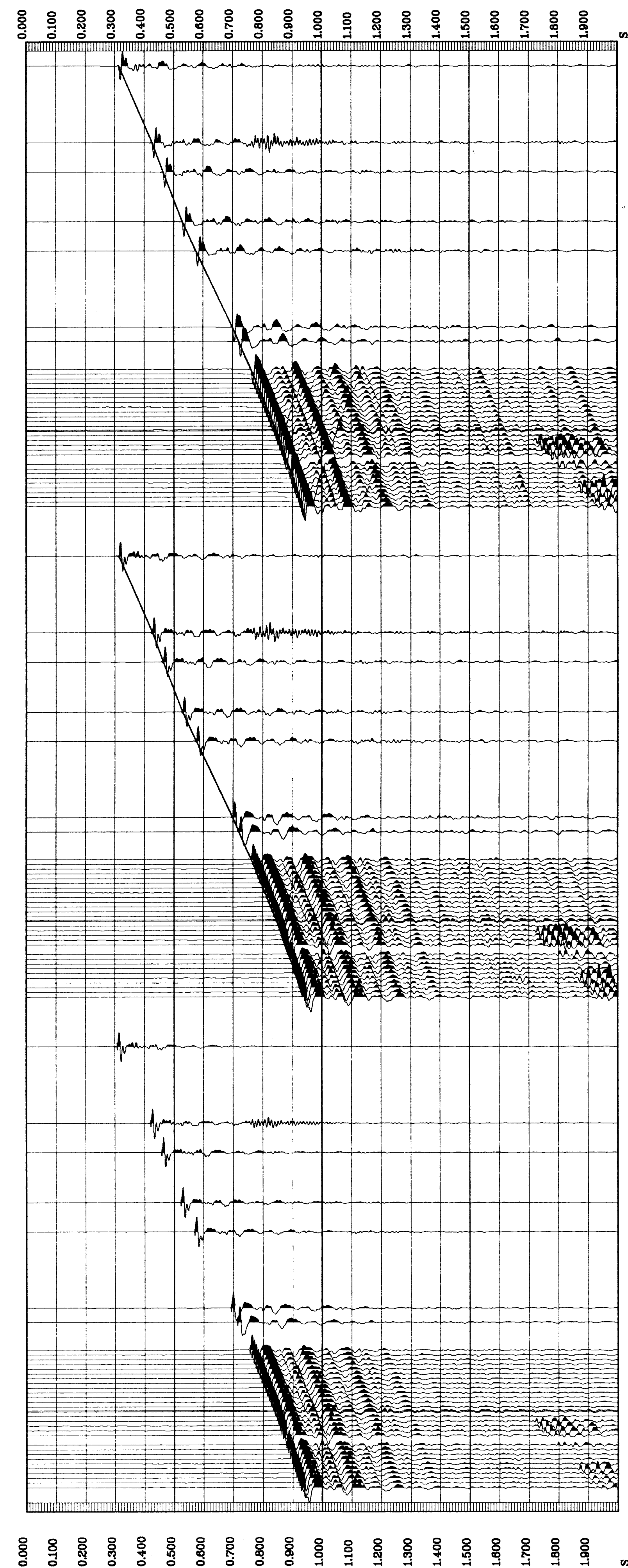
MEDIAN COHERENCY STACK APPLIED
NO STATIC CORRECTION APPLIED
BANDPASS FILTER : 5 - 140 HZ

VERTICAL SCALE : 10 CM/SEC
POLARITY (S.E.G.) : NORMAL

RAW DEPTH M	TRUE VERTICAL DEPTH MSL M	TRANSIT TIME S	LEVEL NO	MAX AMPLITUDE	MIN AMPLITUDE
727.1	712.1	0.315	36	108.50	-87.99
1061.0	1008.0	0.428	36	103.56	-101.12
1185.0	1180.0	0.485	35	97.53	-102.79
1398.0	1371.0	0.530	34	97.03	-99.86
1520.0	1485.0	0.576	33	90.25	-85.17
1842.0	1817.0	0.699	32	70.75	-82.24
1905.0	1877.0	0.720	31	71.23	-77.39
2040.0	2015.0	0.789	29	73.57	-74.58
2090.0	2055.0	0.782	27	74.48	-75.90
2120.0	2095.0	0.798	25	75.72	-78.01
2180.0	2135.0	0.809	23	77.47	-74.25
2200.0	2175.0	0.822	21	78.67	-78.12
2240.0	2215.0	0.835	19	77.82	-70.88
2275.0	2255.0	0.847	17	74.88	-72.12
2300.0	2295.0	0.864	15	76.80	-77.08
2340.0	2335.0	0.885	13	78.23	-78.35
2380.0	2375.0	0.875	11	78.81	-78.48
2440.0	2415.0	0.882	9	71.23	-73.01
2480.0	2455.0	0.904	7	74.95	-74.56
2520.0	2495.0	0.916	5	79.84	-75.45
2560.0	2535.0	0.928	3	87.78	-75.32
2600.0	2575.0	0.938	1	75.82	-71.25

RAW DEPTH M	TRUE VERTICAL DEPTH MSL M	TRANSIT TIME S	LEVEL NO	MAX AMPLITUDE	MIN AMPLITUDE
727.1	712.1	0.315	36	108.50	-87.99
1061.0	1008.0	0.428	36	103.56	-101.12
1185.0	1180.0	0.485	35	97.53	-102.79
1398.0	1371.0	0.530	34	97.03	-99.86
1520.0	1485.0	0.576	33	90.25	-85.17
1842.0	1817.0	0.699	32	70.75	-82.24
1905.0	1877.0	0.720	31	71.23	-77.39
2040.0	2015.0	0.789	29	73.57	-74.58
2090.0	2055.0	0.782	27	74.48	-75.90
2120.0	2095.0	0.798	25	75.72	-78.01
2180.0	2135.0	0.809	23	77.47	-74.25
2200.0	2175.0	0.822	21	78.67	-78.12
2240.0	2215.0	0.835	19	77.82	-70.88
2275.0	2255.0	0.847	17	74.88	-72.12
2300.0	2295.0	0.864	15	76.80	-77.08
2340.0	2335.0	0.885	13	78.23	-78.35
2380.0	2375.0	0.875	11	78.81	-78.48
2440.0	2415.0	0.882	9	71.23	-73.01
2480.0	2455.0	0.904	7	74.95	-74.56
2520.0	2495.0	0.916	5	79.84	-75.45
2560.0	2535.0	0.928	3	87.78	-75.32
2600.0	2575.0	0.938	1	75.82	-71.25

RAW DEPTH M	TRUE VERTICAL DEPTH MSL M	TRANSIT TIME S	LEVEL NO	MAX AMPLITUDE	MIN AMPLITUDE
727.1	712.1	0.309	36	258.66	-231.54
1061.0	1008.0	0.432	36	110.69	-104.76
1185.0	1180.0	0.459	35	88.48	-727.14
1398.0	1371.0	0.504	34	69.29	-670.83
1520.0	1485.0	0.570	33	529.40	-543.19
1842.0	1817.0	0.683	32	257.14	-312.58
1905.0	1877.0	0.714	31	247.80	-285.86
2040.0	2015.0	0.782	29	216.06	-236.42
2090.0	2055.0	0.776	27	179.95	-198.34
2120.0	2095.0	0.789	25	205.49	-220.44
2180.0	2135.0	0.803	23	195.91	-203.12
2200.0	2175.0	0.816	21	180.38	-185.30
2240.0	2215.0	0.829	19	172.45	-187.79
2275.0	2255.0	0.842	17	145.54	-153.29
2300.0	2295.0	0.844	15	150.71	-159.21
2340.0	2335.0	0.858	13	140.90	-152.20
2380.0	2375.0	0.868	11	145.09	-150.11
2440.0	2415.0	0.868	9	131.08	-145.58
2480.0	2455.0	0.907	7	128.39	-139.25
2520.0	2495.0	0.909	5	148.01	-139.79
2560.0	2535.0	0.914	3	108.14	-121.83
2600.0	2575.0	0.930	1	118.06	-111.92



COMPANY: ESSO AUSTRALIA LTD.
FIELD: WILDCAT
WELL: ORANGE ROUGHY 1
COUNTRY: AUSTRALIA

