

SEISMIC CALIBRATION LOG

(Adjusted Continuous Velocity Log)



Company: ESSO AUSTRALIA LTD

Well: MULLOWAY #1

Field: WILDCAT

Country: AUSTRALIA

Reference No: SYJ-56313 Interval: 169000 to 180000

Date Logged: 19-FEB-89 Date Processed: 10-MAR-89

Location: 038 19' 27.46" S 147 29' 01.82" E

Elevations: KB 2100 DF: 20.70 GL: -37.00

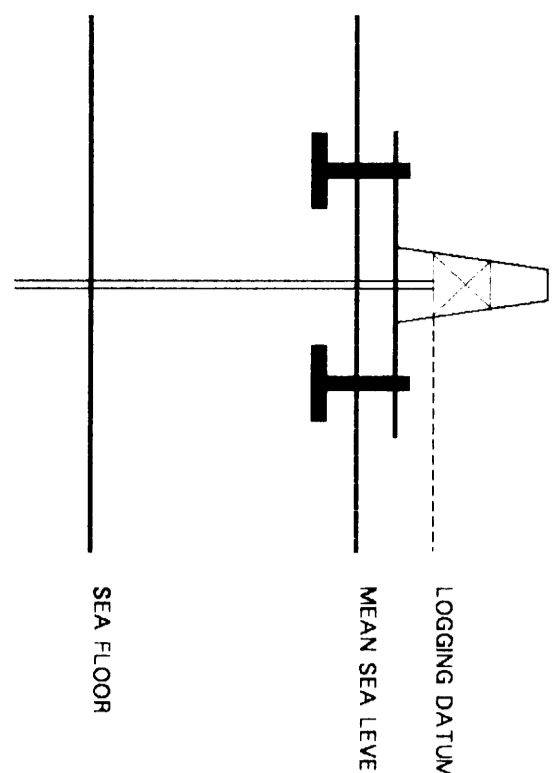
Permanent Datum: MSL Depth Units: METRES

FIELD RECORDING Engineer: Y. Q. ZHANG Location: Program Version: 29.882

COMPUTATION Analyst: M. SANDERS Centre: SYJ BaseName: 16.900X2

Logging Datum: 2100

Seismic Reference Datum: 0.00



Total Number of Levels

Depth Reference

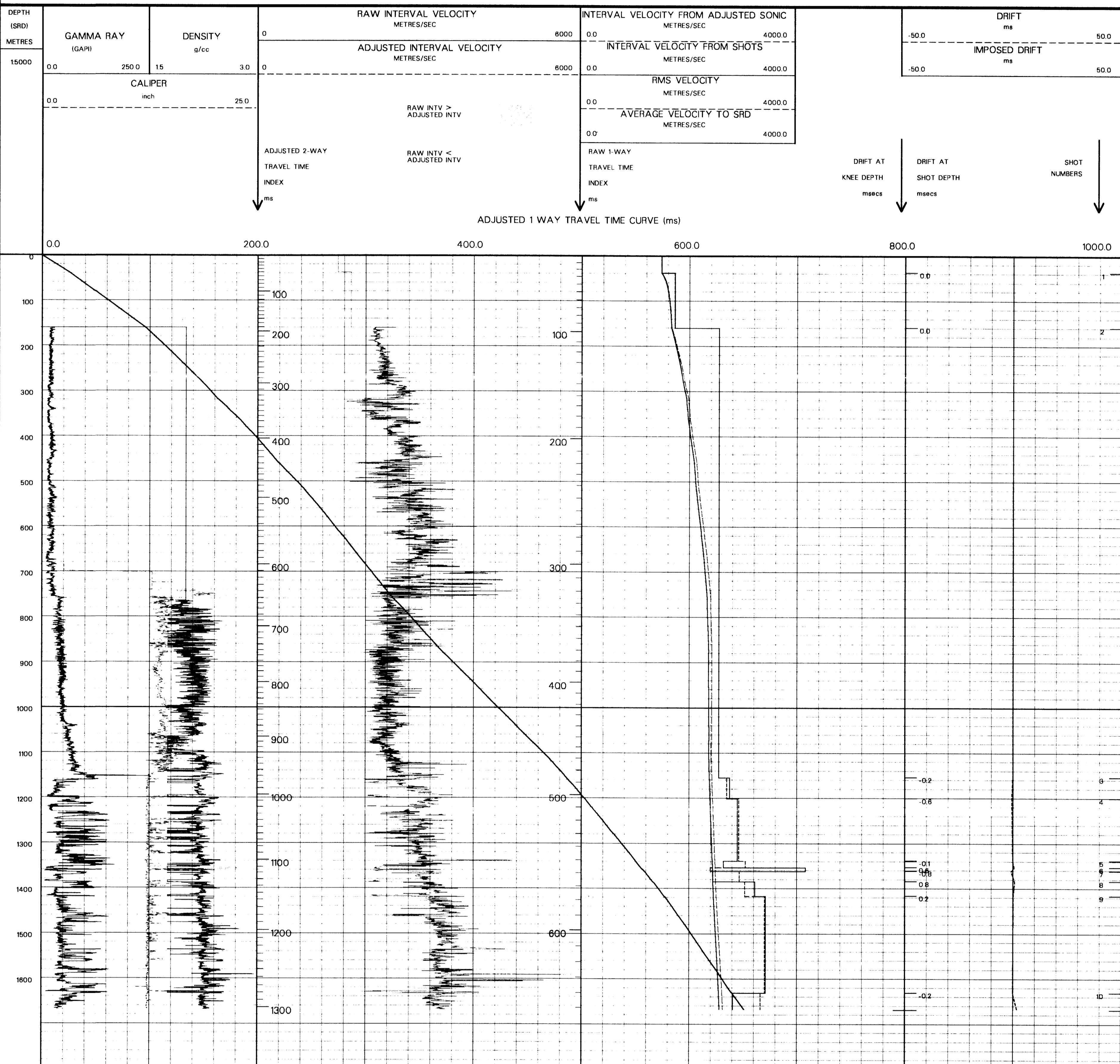
Time Reference

Run	Date	Tool Type	SRD	SRD	SRD	SRD	SRD
VSP	Date	Gun	Hydro	Gun	Hydro	Gun	Hydro
Run	19-FEB-89	40 M	40 M	4 M BELOW MS	3 M BELOW MS		

REMARKS

FOLD HERE The well name, locat on and borehole reference data were furnished by the customer

All interpretations are opinions based on inferences from electrical or other measurements and we cannot, and do not guarantee the accuracy or correctness of any interpretations, and we shall not, except in the case of gross or willful negligence on our part, be liable or responsible for any loss, costs, damages or expenses incurred or sustained by anyone resulting from any interpretations made by any of our officers, agents or employees. These interpretations are also subject to Clause 4 of our General Terms and Conditions as set out in our current Price Schedule.



COMPANY ESSO AUSTRALIA LTD
FIELD WILDCAT
WELL MULLOWAY #1
COUNTRY AUSTRALIA