

90/288

Schlumberger

SYDNEY LOG INTERPRETATION CENTRE

DEPT. NAT. RES. & ENVY PE905933

VERTICAL SEISMIC PROFILE

ZERO OFFSET VSP PLOT NO 5

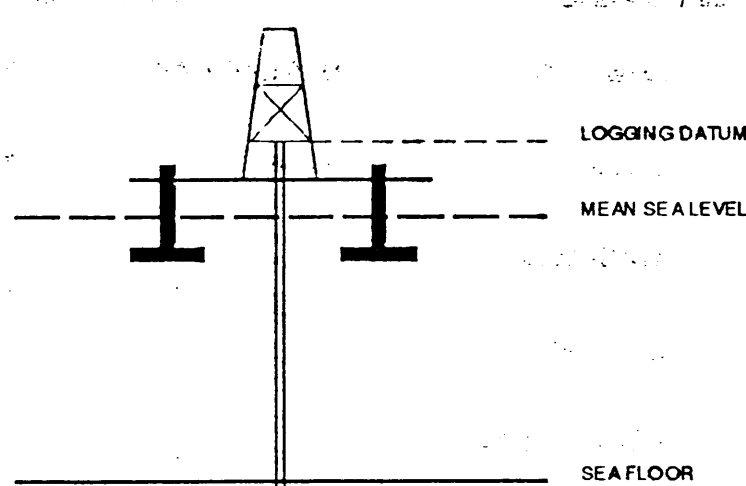
WAVESHAPING DECONVOLUTION

Company: SHELL AUSTRALIA
 Well: DEVIL FISH #1
 Field: WILDCAT
 Country: AUSTRALIA
 Reference No: 56578 Interval: 2030.00 to 0.00
 Date Logged: 22-APR-90 Date Processed: 2/5/90
 Location: 38 47'58.21"S 147 55'10.54"E
 Elevations: KB: 28.40 DF: 28.00 GL: -102.00
 Permanent Datum: MSL Depth Units: METRES

FIELD RECORDING: Engineer: G.GUTHERLAND Location: Program Version: 32.2
 COMPUTATION: Analyst: H.KURAGUCHI Centre: SYJ Baseline: 16113

ELEVATION ABOVE MEAN SEA LEVEL

Logging Datum: 28.40
 Seismic Reference Datum: 0.00



Total Number of Levels 47

Depth Reference SRD

Time Reference SRD

Run	Date	Tool Type	Bit Size/Depth	Casing Size/Depth	Top Depth	Bottom Depth
	22-04-90	WST	8 1/2" / 2068 MTR	9 5/8" / 099 MTR	300	2800

VSP Run	Date	Gun Offset	Hydro Offset	Gun Elevation	Hydro Elevation	Gun Azimuth	Hydro Azimuth
	22-04-90	60.0 M	60.0 M	10 M BELOW MSL	15 M BELOW MSL	200.0	200.0

REMARKS

FOLD HERE

CLIENT = SHELL
 FIELD = WILDCAT
 WELL = DEVIL FISH

**** WAVESHAPING ****
 DOWNGOING WAVEFIELD PROCESSING SEQUENCE:
 STATIC CORR* TO SRD
 BAND PASS FILTER : 5-90 HZ
 NORMALISATION GATE : 100 MS
 DOWNGOING WAVEFIELD 8-60 HZ WAVESHAPING DECONVOLUTION
 SCALE : 10 CM/SEC
 POLARITY (S.E.G.) : NORMAL

**** WAVESHAPING ****
 RESIDUAL WAVEFIELD PROCESSING SEQUENCE:
 MEDIAN COHERENCY STACK APPLIED
 STATIC CORR* TO SRD
 BAND PASS FILTER : 5-90 HZ
 NORMALISATION GATE : 100 MS
 DOWNGOING WAVEFIELD SUBTRACTION
 TUBEWAVE SUBTRACTION
 1-60 HZ WAVESHAPING DECONVOLUTION
 SCALE : 10 CM/SEC
 POLARITY (S.E.G.) : NORMAL

**** WAVESHAPING ****
 RESIDUAL WAVEFIELD PROCESSING SEQUENCE:
 MEDIAN COHERENCY STACK APPLIED
 STATIC CORR* TO SRD
 BAND PASS FILTER : 5-90 HZ
 NORMALISATION GATE : 100 MS
 DOWNGOING WAVEFIELD SUBTRACTION
 TUBEWAVE SUBTRACTION
 8-60 HZ WAVESHAPING DECONVOLUTION
 SCALE : 10 CM/SEC
 POLARITY (S.E.G.) : NORMAL

**** WAVESHAPING ****
 ENHANCED UPGOING WAVEFIELD PROCESSING SEQUENCE:
 MEDIAN COHERENCY STACK APPLIED
 STATIC CORR* TO SRD
 BAND PASS FILTER : 5-90 HZ
 NORMALISATION GATE : 100 MS
 DOWNGOING WAVEFIELD SUBTRACTION
 TUBEWAVE SUBTRACTION
 8-60 HZ WAVESHAPING DECONVOLUTION
 9 LEVEL ENHANCEMENT ON UPGOING
 SCALE : 10 CM/SEC
 POLARITY (S.E.G.) : NORMAL

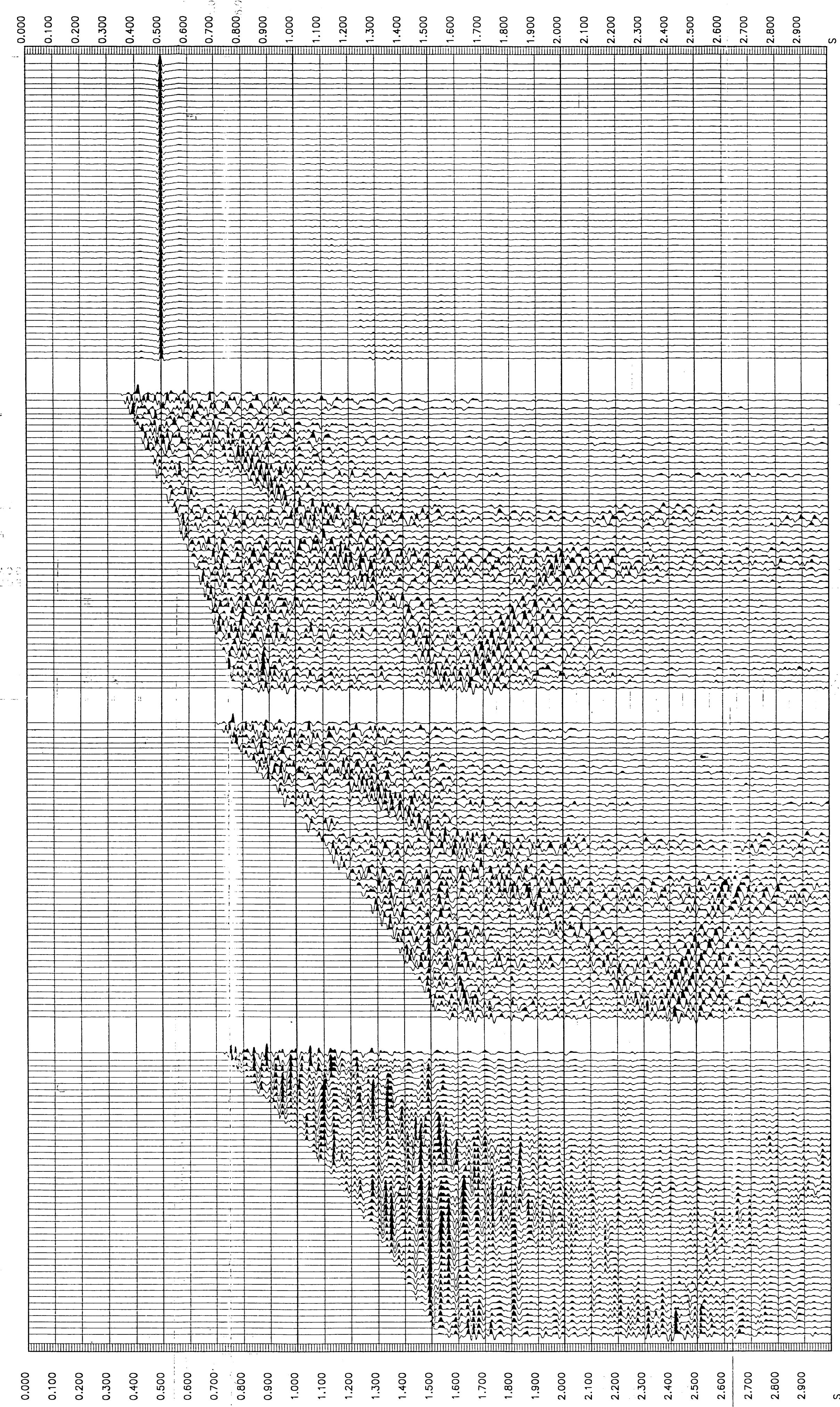
850.0 0.353
 877.0 0.364
 908.0 0.377
 950.0 0.394
 975.0 0.403
 1000.0 0.414
 1025.0 0.425
 1050.0 0.436
 1075.0 0.445
 1100.0 0.457
 1125.0 0.467
 1150.0 0.477
 1175.0 0.486
 1200.0 0.497
 1225.0 0.507
 1250.0 0.519
 1275.0 0.527
 1300.0 0.538
 1325.0 0.546
 1350.0 0.556
 1375.0 0.566
 1400.0 0.576
 1425.0 0.585
 1450.0 0.593
 1475.0 0.603
 1500.0 0.612
 1525.0 0.621
 1550.0 0.630
 1575.0 0.639
 1600.0 0.647
 1625.0 0.656
 1650.0 0.664
 1675.0 0.670
 1700.0 0.677
 1725.0 0.684
 1750.0 0.691
 1800.0 0.704
 1825.0 0.712
 1850.0 0.719
 1875.0 0.726
 1900.0 0.733
 1925.0 0.740
 1950.0 0.746
 1975.0 0.752
 2000.0 0.758

850.0 0.353
 877.0 0.364
 908.0 0.377
 950.0 0.394
 975.0 0.403
 1000.0 0.414
 1025.0 0.425
 1050.0 0.436
 1075.0 0.445
 1100.0 0.457
 1125.0 0.467
 1150.0 0.477
 1175.0 0.486
 1200.0 0.497
 1225.0 0.507
 1250.0 0.519
 1275.0 0.527
 1300.0 0.538
 1325.0 0.546
 1350.0 0.556
 1375.0 0.566
 1400.0 0.576
 1425.0 0.585
 1450.0 0.593
 1475.0 0.603
 1500.0 0.612
 1525.0 0.621
 1550.0 0.630
 1575.0 0.639
 1600.0 0.647
 1625.0 0.656
 1650.0 0.664
 1675.0 0.670
 1700.0 0.677
 1725.0 0.684
 1750.0 0.691
 1800.0 0.704
 1825.0 0.712
 1850.0 0.719
 1875.0 0.726
 1900.0 0.733
 1925.0 0.740
 1950.0 0.746
 1975.0 0.752
 2000.0 0.758

850.0 0.353
 877.0 0.364
 908.0 0.377
 950.0 0.394
 975.0 0.403
 1000.0 0.414
 1025.0 0.425
 1050.0 0.436
 1075.0 0.445
 1100.0 0.457
 1125.0 0.467
 1150.0 0.477
 1175.0 0.486
 1200.0 0.497
 1225.0 0.507
 1250.0 0.519
 1275.0 0.527
 1300.0 0.538
 1325.0 0.546
 1350.0 0.556
 1375.0 0.566
 1400.0 0.576
 1425.0 0.585
 1450.0 0.593
 1475.0 0.603
 1500.0 0.612
 1525.0 0.621
 1550.0 0.630
 1575.0 0.639
 1600.0 0.647
 1625.0 0.656
 1650.0 0.664
 1675.0 0.670
 1700.0 0.677
 1725.0 0.684
 1750.0 0.691
 1800.0 0.704
 1825.0 0.712
 1850.0 0.719
 1875.0 0.726
 1900.0 0.733
 1925.0 0.740
 1950.0 0.746
 1975.0 0.752
 2000.0 0.758

877.0 0.364
 908.0 0.377
 950.0 0.394
 975.0 0.403
 1000.0 0.414
 1025.0 0.425
 1050.0 0.436
 1075.0 0.445
 1100.0 0.457
 1125.0 0.467
 1150.0 0.477
 1175.0 0.486
 1200.0 0.497
 1225.0 0.507
 1250.0 0.519
 1275.0 0.527
 1300.0 0.538
 1325.0 0.546
 1350.0 0.556
 1375.0 0.566
 1400.0 0.576
 1425.0 0.585
 1450.0 0.593
 1475.0 0.603
 1500.0 0.612
 1525.0 0.621
 1550.0 0.630
 1575.0 0.639
 1600.0 0.647
 1625.0 0.656
 1650.0 0.664
 1675.0 0.670
 1700.0 0.677
 1725.0 0.684
 1750.0 0.691
 1800.0 0.704
 1825.0 0.712
 1850.0 0.719
 1875.0 0.726
 1900.0 0.733
 1925.0 0.740
 1950.0 0.746
 1975.0 0.752
 2000.0 0.758

RAW DEPTH M
 TRANSIT TIME S
 LEVEL NO



COMPANY SHELL AUSTRALIA
 FIELD WILDCAT
 WELL DEVIL FISH #1
 COUNTRY AUSTRALIA

Schlumberger