

90/288

SYDNEY LOG INTERPRETATION CENTRE



Schlumberger

VERTICAL SEISMIC PROFILE

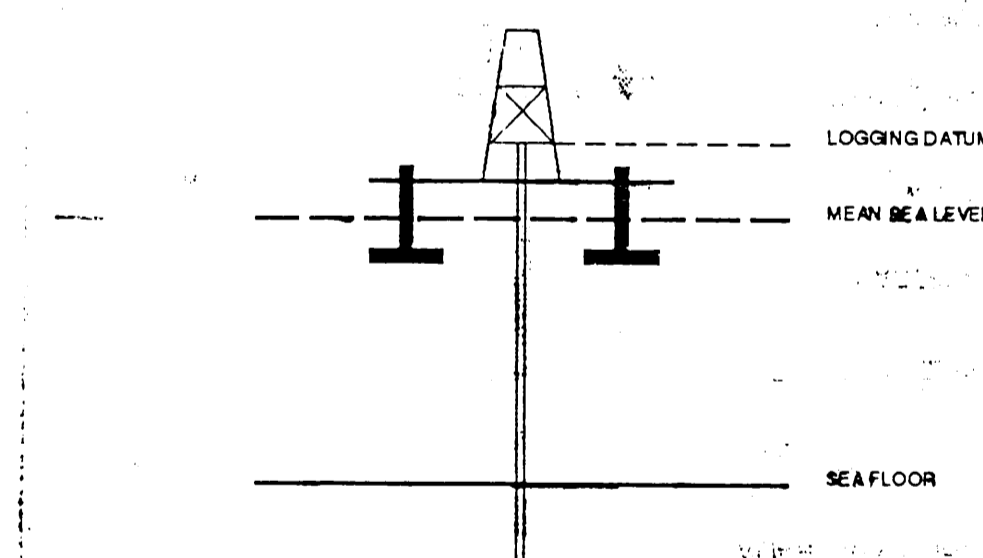
ZERO OFFSET VSP PLOT NO 2

AMPLITUDE RECOVERY

Company: SHELL AUSTRALIA
 Well: DEVL FISH #1
 Field: WILDCAT
 Country: AUSTRALIA
 Reference No: 56578 Interval: 2030.00 to 0.00
 Date Logged: 22-APR-90 Date Processed: 2/5/90
 Location: 38 47'58.21"S 147 55'10.54"E
 Elevations: KB: 28.40 DF: 28.00 GL: -102.00
 Permanent Datum: MSL Depth Units: METRES
 FIELD RECORDING: Engineer: G.SUTHERLAND Location: Program Version: 32.2
 COMPUTATION: Analyst: H.KURAGUCHI Centre: STJ Baseline: 161120

ELEVATION ABOVE MEAN SEA LEVEL

Logging Datum: 28.40
 Seismic Reference Datum: 0.00



Total Number of Levels: 47

Depth Reference: SRD

Time Reference: SRD

Run	Date	Tool Type	Bit Size/Depth	Casing Size/Depth	Top Depth	Bottom Depth
22-04-90		WST	8 1/2" / 2056 M.T.R.	8 5/8" / 1041 M.T.R.	300	2800

REMARKS

The well name, location and bottom hole reference data were furnished by the customer.

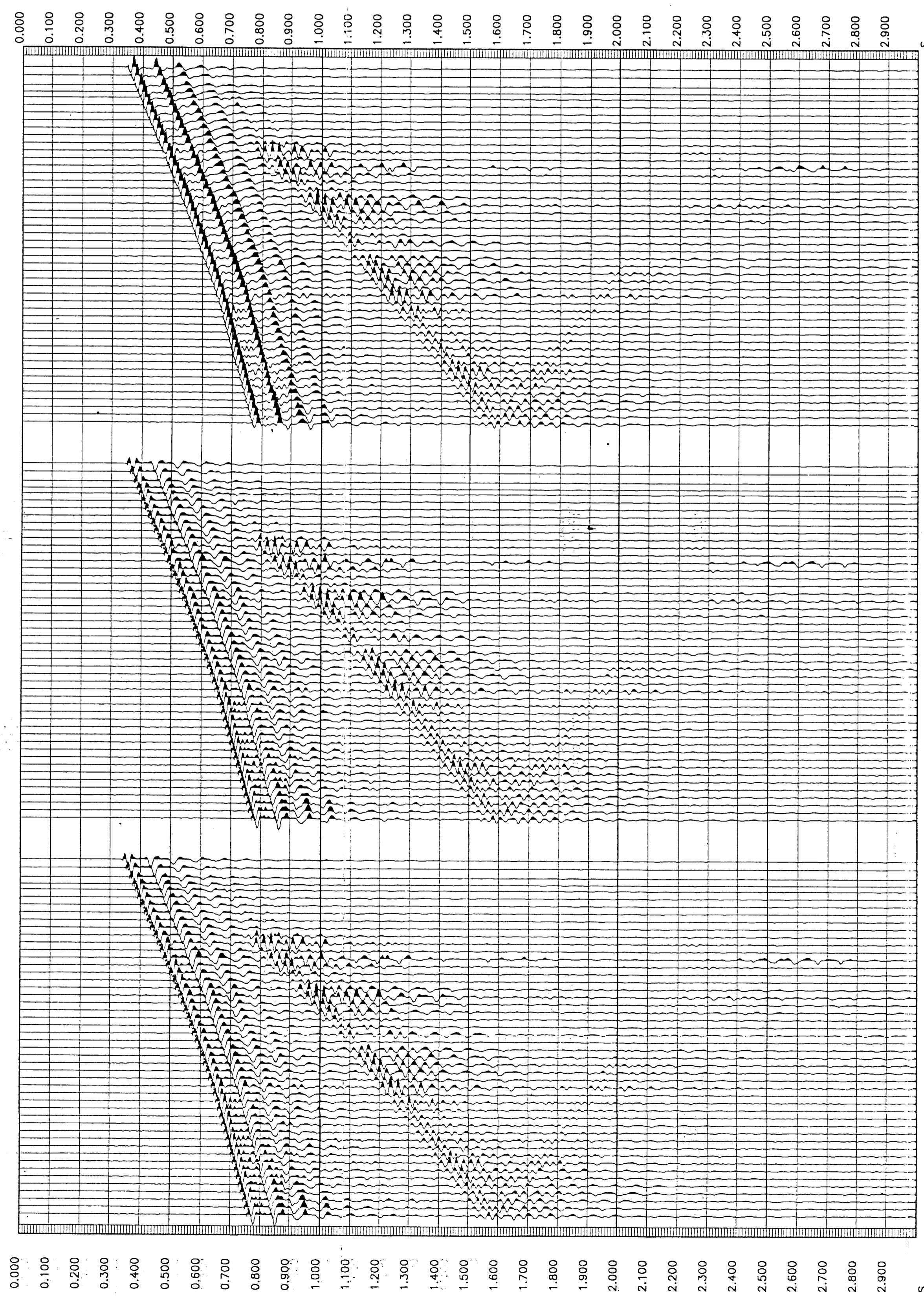
CLIENT = SHELL
 FIELD = WILDCAT
 WELL = DEVL FISH #1

**** AMPLITUDE RECOVERY ****
 VERTICAL COMPONENT
 PROCESSING SEQUENCE:
 MEDIAN COHERENCY STACK APPLIED
 STATIC CORR TO MSL
 BAND PASS FILTER : 5-90 HZ
 NORMALISATION GATE : 100 MS
 SCALE : 10 CM/SEC
 POLARITY (S.E.G.) : REVERSE

**** AMPLITUDE RECOVERY ****
 VERTICAL COMPONENT
 PROCESSING SEQUENCE:
 MEDIAN COHERENCY STACK APPLIED
 STATIC CORR TO MSL
 BAND PASS FILTER : 5-90 HZ
 NORMALISATION GATE : 100 MS
 SCALE : 10 CM/SEC
 POLARITY (S.E.G.) : NORMAL

**** STACKED DATA ****
 VERTICAL COMPONENT
 PROCESSING SEQUENCE:
 MEDIAN COHERENCY STACK APPLIED
 SCALE : 10 CM/SEC
 POLARITY (S.E.G.) : NORMAL

RAW DEPTH M	TRUE VERTICAL DEPTH MSL M	TRANSIT TIME S	LEVEL NO	MAX AMPLITUDE	MIN AMPLITUDE
850.0	821.6	0.353	48	85.1	-45.1
877.0	848.6	0.354	47	86.7	-44.2
908.0	879.6	0.357	46	91.6	-46.1
931.0	902.6	0.356	45	95.8	-48.6
951.0	921.6	0.353	44	97.8	-48.6
979.0	949.6	0.414	43	85.0	-40.7
1000.0	971.6	0.414	42	85.0	-44.9
1020.0	996.6	0.425	41	85.4	-41.8
1030.0	1007.6	0.436	40	85.9	-42.4
1048.0	1026.6	0.443	39	85.9	-41.6
1100.0	1077.6	0.457	38	111.1	-109.2
1120.0	1099.6	0.477	37	88.8	-69.1
1170.0	1148.6	0.486	36	79.0	-49.1
1200.0	1177.6	0.497	35	84.7	-44.0
1220.0	1198.6	0.507	34	81.3	-43.9
1250.0	1227.6	0.519	33	84.7	-51.2
1270.0	1248.6	0.527	32	81.3	-49.4
1300.0	1277.6	0.538	31	84.2	-52.2
1320.0	1298.6	0.546	30	85.9	-44.9
1340.0	1319.6	0.554	29	84.2	-43.5
1370.0	1348.6	0.566	28	87.6	-47.8
1400.0	1377.6	0.583	27	85.0	-45.2
1420.0	1398.6	0.583	26	85.0	-43.0
1450.0	1427.6	0.612	25	81.8	-37.9
1470.0	1448.6	0.603	24	84.1	-37.5
1500.0	1477.6	0.621	23	83.8	-36.3
1520.0	1498.6	0.630	22	84.1	-46.7
1550.0	1527.6	0.639	21	85.6	-39.0
1570.0	1548.6	0.647	20	86.6	-47.8
1600.0	1577.6	0.656	19	85.0	-45.1
1620.0	1598.6	0.664	18	86.6	-48.6
1650.0	1627.6	0.670	17	85.0	-43.0
1670.0	1648.6	0.677	16	86.6	-48.6
1700.0	1677.6	0.684	15	85.0	-43.0
1720.0	1698.6	0.691	14	84.8	-48.6
1750.0	1727.6	0.697	13	84.8	-40.3
1770.0	1748.6	0.697	12	85.4	-43.3
1800.0	1777.6	0.704	11	85.4	-48.6
1820.0	1798.6	0.712	10	84.8	-40.3
1850.0	1827.6	0.719	9	85.4	-43.3
1870.0	1848.6	0.726	8	85.4	-48.6
1900.0	1877.6	0.733	7	85.2	-48.1
1920.0	1898.6	0.740	6	85.2	-45.4
1950.0	1927.6	0.746	5	86.6	-41.4
1970.0	1948.6	0.752	4	86.6	-45.4
1990.0	1969.6	0.751	3	84.2	-47.0
2020.0	1998.6	0.759	2		



COMPANY SHELL AUSTRALIA
 FIELD WILDCAT
 WELL DEVL FISH #1
 COUNTRY AUSTRALIA

