

SEISMIC CALIBRATION LOG

(Adjusted Continuous Velocity Log)



Company: HARTOGEN ENERGY LTD.

Well: TIRRENGOWA #1

Field: WILDCAT

Country: AUSTRALIA

Reference No: 570407

Date Logged: 22/03/87

Location: 038 22' 58.60" S

Elevations: KB: 4710 F

Permanent Datum: MSL

COMPUTATION: Analyst: A. CHIN

Logging Datum: 4710 F

Seismic Reference Datum: 4560 F

Ground Floor: 4560 F

Interval: 0.00 to 4170.00

Date Processed: 02/04/87

Location: 143 20' 20.67" E

DF: 470.0 F

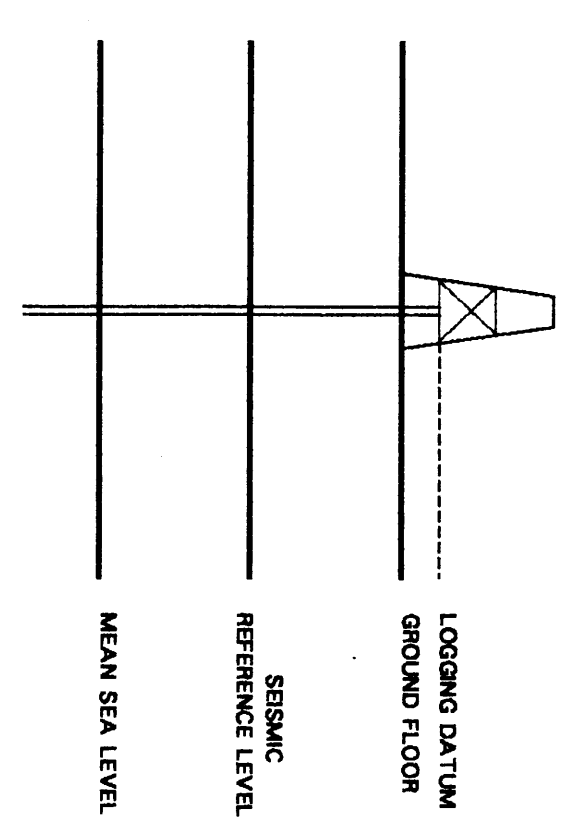
GL: 456.0 F

Depth Units: FEET

Location: VEA Program Version: 28.485

Centre: SVJ Baseline: 14.9X4/25X4

ELEVATION ABOVE MEAN SEA LEVEL



Total Number of VSP Levels: 17 (from 498 to 4188 F below KB)

VSP Depth Reference: SRD

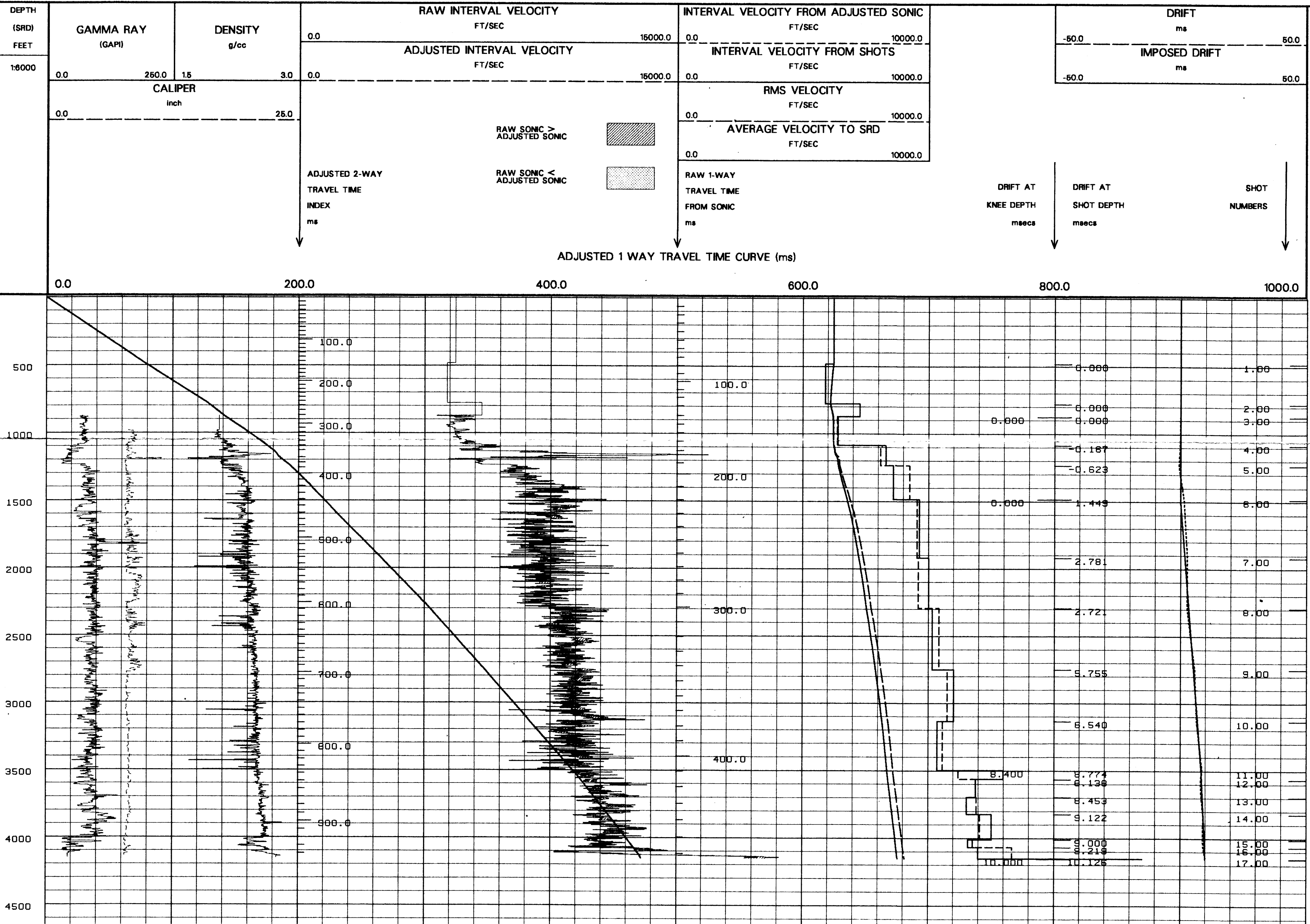
VSP Time Reference: SRD

Run	Date	Tool Type	Bit Size/Depth	Casing Size/Depth	Top Depth	Bottom Depth
ONE	22-03-87	SLS	7 7/8" @ 4176 F	8 5/8" @ 784 F	784 F	4170 F

REMARKS
Sonic log interval 784 - 4170 feet below KB
(usable sonic log interval 890 - 4170 feet below KB)
Density log interval 1000 - 4180 feet below KB
Bottom shot @ 4188 feet, top shot @ 498 feet

FOLD HERE

All interpretations are opinions based on inferences from electrical or other measurements and we cannot, and do not guarantee the accuracy or correctness of any interpretations, and we shall not, except in the case of gross or willful negligence on our part, be liable or responsible for any loss, costs, damages or expenses incurred or sustained by anyone resulting from any interpretations made by any of our officers, agents or employees. These interpretations are also subject to Clause 4 of our General Terms and Conditions as set out in our current Price Schedule.



COMPANY HARTOGEN ENERGY LTD.
FIELD WILDCAT
WELL TIRRENGOWA #1
COUNTRY AUSTRALIA