

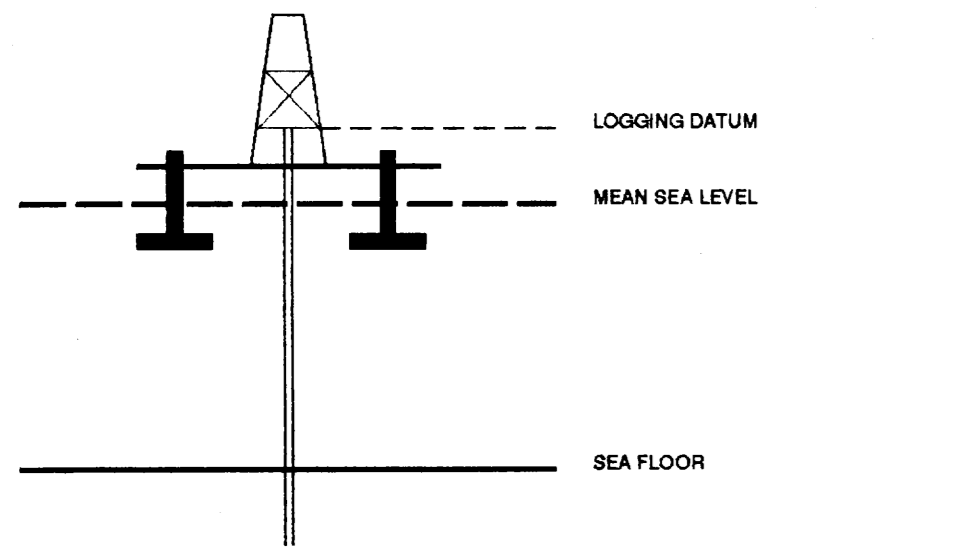


VERTICAL SEISMIC PROFILE

ZERO OFFSET VSP PLOT 2 AMPLITUDE RECOVERY

Company: ESSO AUSTRALIA LTD
Well: TURRUM-6
Field: TURRUM
Country: AUSTRALIA
Reference No: SYJ-561162/561163
Date Logged: 14 OCT 1995
Location: 038 14' 11.108" S 148 10' 24.946" E

ELEVATION ABOVE MEAN SEA LEVEL
Logging Datum: 25.00
Seismic Reference Datum: 0.00



Total Number of Levels: 86

Depth Reference: SRD

Time Reference: SRD

Table with 8 columns: Run, Date, Tool Type, Bit Size/Depth, Casing Size/Depth, Top Depth, Bottom Depth.

Table with 8 columns: VSP Run, Date, Gun Offset, Hydro Offset, Gun Elevation, Hydro Elevation, Gun Azimuth, Hydro Azimuth.

REMARKS

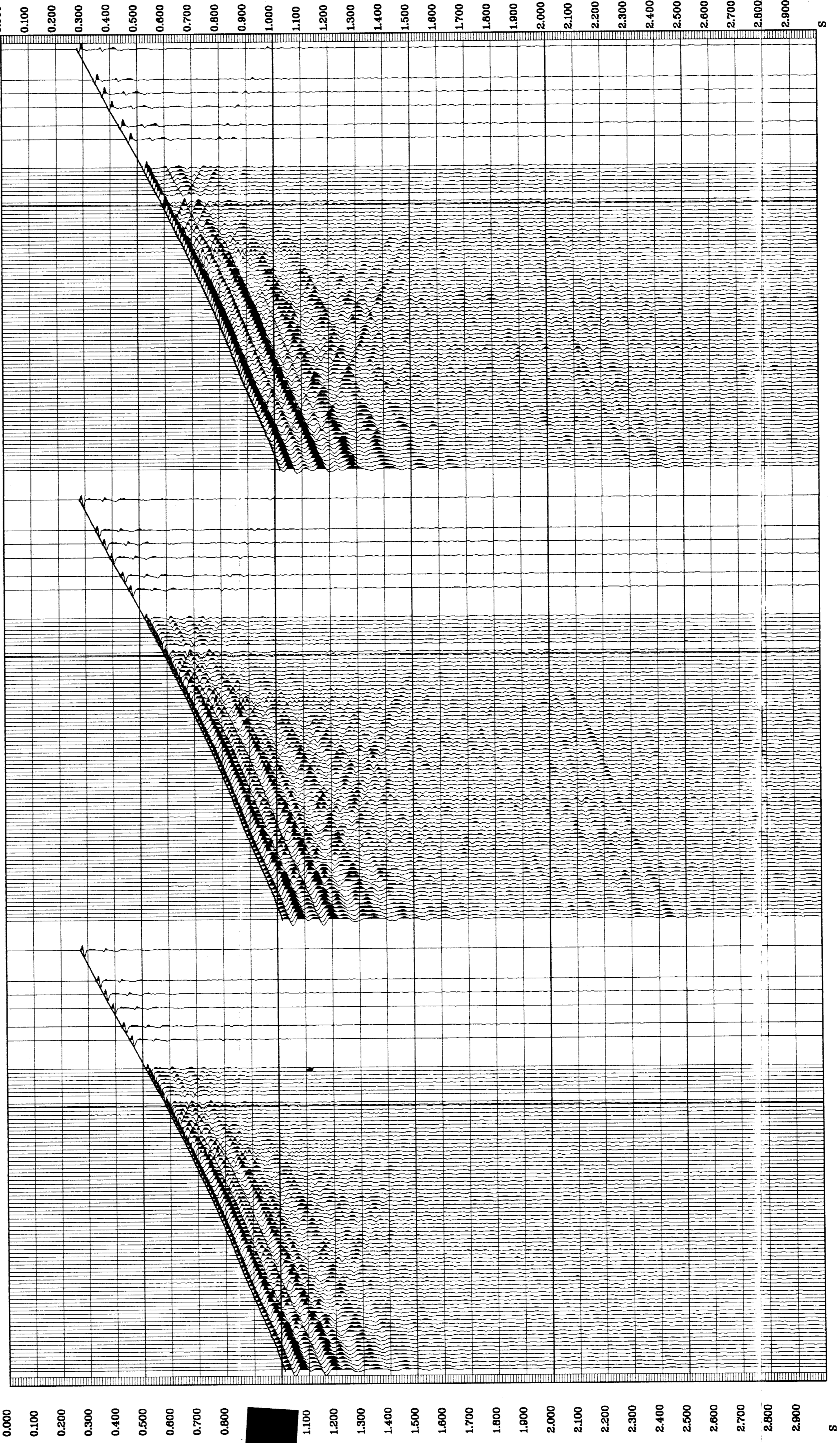
Vertical well name, location and downhole reference data was furnished by the customer. All interpretations are opinions based on information from electrical or other measurements...

\* AMPLITUDE RECOVERY \* VERTICAL COMPONENT. PROCESSING SEQUENCE: MEDIAN STACK APPLIED. STATIC CORRECTION TO MSL: 6.56 MS. BAND PASS FILTER : 5-100 HZ.

\* AMPLITUDE RECOVERY \* VERTICAL COMPONENT. PROCESSING SEQUENCE: MEDIAN STACK APPLIED. STATIC CORRECTION TO MSL: 6.56 MS. BAND PASS FILTER : 5-100 HZ.

\* STACKED DATA \* VERTICAL COMPONENT. PROCESSING SEQUENCE: MEDIAN COHERENCY STACK APPLIED. NO STATIC CORRECTION APPLIED. BANDPASS FILTER : 4 - 120 HZ.

Main data table with columns: RAW DEPTH (M), TRUE VERTICAL DEPTH MSL (M), TRANSIT TIME (S), LEVEL NO, MAX AMPLITUDE, MIN AMPLITUDE. Contains multiple rows of data.



COMPANY ESSO AUSTRALIA LTD
FIELD TURRUM
WELL TURRUM-6
COUNTRY AUSTRALIA

