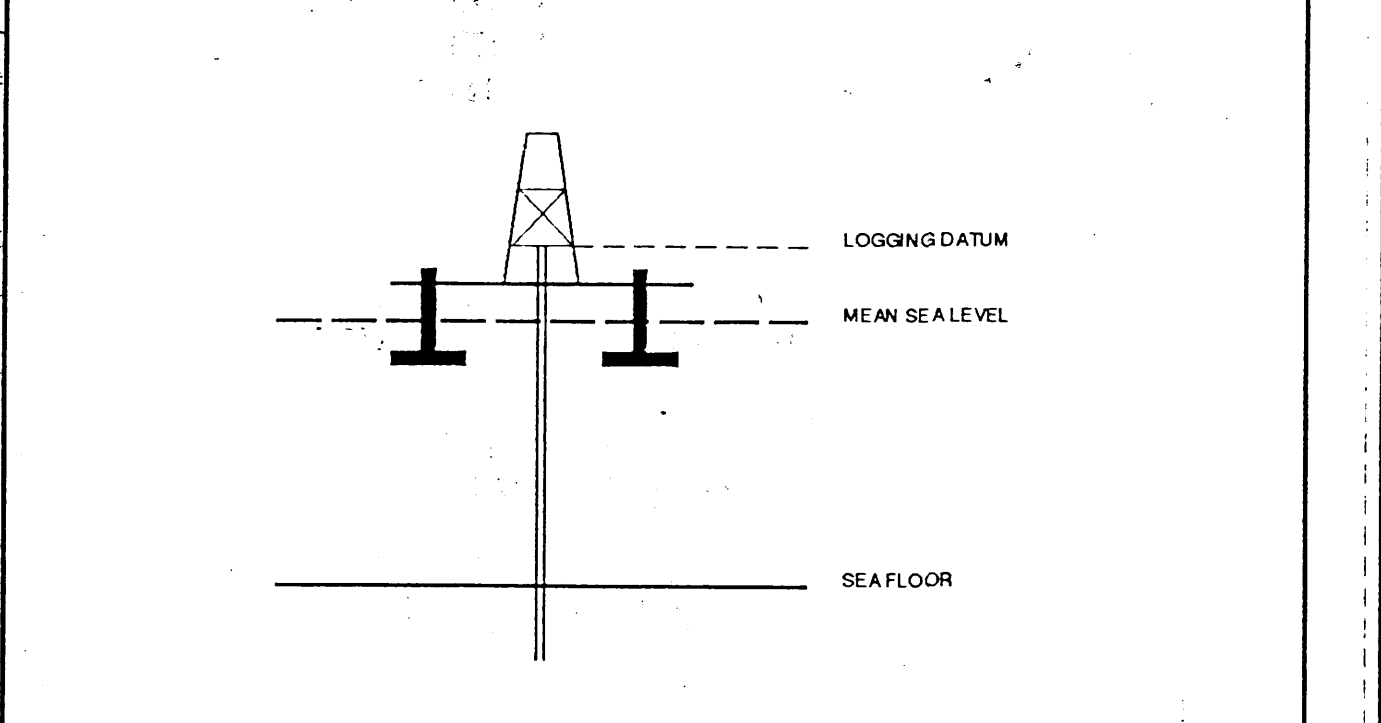


# VERTICAL SEISMIC PROFILE

ZERO OFFSET VSP PLOT NO 3  
 VELOCITY FILTERING AND TUBE WAVE SUBT.

Company: SHELL AUSTRALIA  
 Well: DEVIL FISH #1  
 Field: WILDCAT  
 Country: AUSTRALIA  
 Reference No: 56578 Interval: 2030.00 to 0.00  
 Date Logged: 22-APR-90 Date Processed: 2/5/90  
 Location: 38 47'58.21"S 147 55'10.54"E  
 Elevations: KB: 28.40 DF: 28.00 GL: -102.00  
 Permanent Datum: MSL Depth Units: METRES  
 FIELD RECORDING: Engineer: G.SUTHERLAND Location: Program Version: 32.2  
 COMPUTATION: Analyst: H.KURAGUCHI Centre: SYJ Baseline: 16.11X

ELEVATION ABOVE MEAN SEA LEVEL  
 Logging Datum: 28.40  
 Seismic Reference Datum: 0.00



Total Number of Levels: 47  
 Depth Reference: SRD  
 Time Reference: SRD

Run	Date	Tool Type	Bit Size/Depth	Casing Size/Depth	Top Depth	Bottom Depth
1	22-04-90	WST	8 1/2" / 2058 MTR.	9 5/8" / 091 MTR.	300	2800

VSP Run	Date	Gun Offset	Hydro Offset	Gun Elevation	Hydro Elevation	Gun Azimuth	Hydro Azimuth
1	22-04-90	60.0 M	60.0 M	10 M BELOW MSL	15 M BELOW MSL	200.0	200.0

REMARKS

The well name, location and borehole reference data were furnished by the customer.

CLIENT = SHELL  
 FIELD = WILDCAT  
 WELL = DEVILFISH

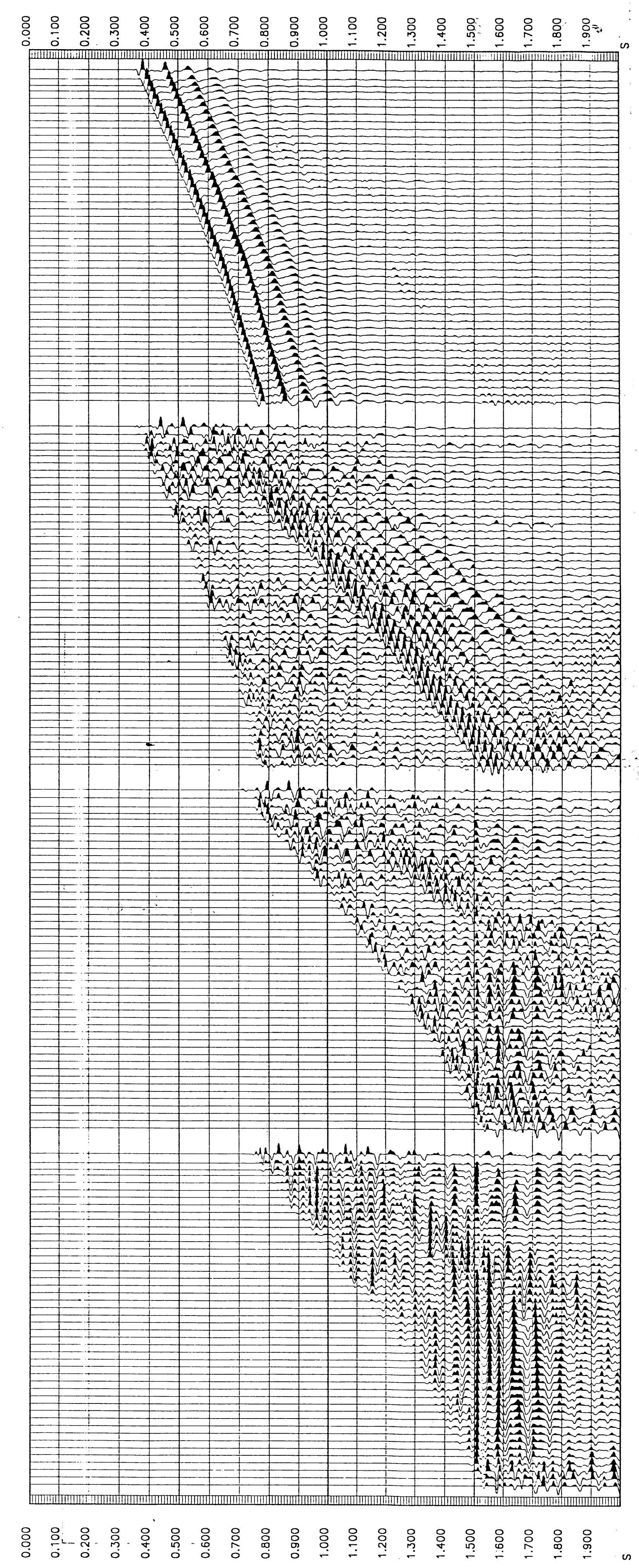
**\*\* VELOCITY FILTER \*\***  
 DOWNGOING WAVEFIELD  
 PROCESSING SEQUENCE:  
 MEDIAN COHERENCY STACK APPLIED  
 STATIC CORR<sup>m</sup> TO SRD  
 BAND PASS FILTER : 5-90 HZ  
 NORMALISATION GATE : 100 MS  
 7 LEVEL MEDIAN ESTIMATE OF  
 DOWNGOING WAVEFIELD  
 SCALE : 10 CM/SEC  
 POLARITY (S.E.G.) : NORMAL

**\*\* VELOCITY FILTER \*\***  
 RESIDUAL WAVEFIELD  
 PROCESSING SEQUENCE:  
 MEDIAN COHERENCY STACK APPLIED  
 STATIC CORR<sup>m</sup> TO SRD  
 BAND PASS FILTER : 5-90 HZ  
 NORMALISATION GATE : 100 MS  
 TUBEWAVE SUBTRACTION  
 DOWNGOING WAVEFIELD SUBTRACTION  
 SCALE : 10 CM/SEC  
 POLARITY (S.E.G.) : NORMAL

**\*\* VELOCITY FILTER \*\***  
 RESIDUAL WAVEFIELD  
 PROCESSING SEQUENCE:  
 MEDIAN COHERENCY STACK APPLIED  
 STATIC CORR<sup>m</sup> TO SRD  
 BAND PASS FILTER : 5-90 HZ  
 NORMALISATION GATE : 100 MS  
 DOWNGOING WAVEFIELD SUBTRACTION  
 SCALE : 10 CM/SEC  
 POLARITY (S.E.G.) : NORMAL

**\*\* VELOCITY FILTER \*\***  
 ENHANCED UPGOING WAVEFIELD  
 PROCESSING SEQUENCE:  
 MEDIAN COHERENCY STACK APPLIED  
 STATIC CORR<sup>m</sup> TO SRD  
 BAND PASS FILTER : 5-90 HZ  
 NORMALISATION GATE : 100 MS  
 DOWNGOING WAVEFIELD SUBTRACTION  
 5 LEVEL ENHANCEMENT ON UPGOING  
 SCALE : 10 CM/SEC  
 POLARITY (S.E.G.) : NORMAL

RAW DEPTH M	TRANSIT TIME S	LEVEL NO
877.0	0.364	47
908.0	0.377	46
931.0	0.391	45
950.0	0.403	44
975.0	0.414	43
1000.0	0.425	42
1025.0	0.436	41
1050.0	0.445	40
1075.0	0.457	39
1100.0	0.467	38
1125.0	0.477	37
1150.0	0.486	36
1175.0	0.497	35
1200.0	0.507	34
1225.0	0.519	33
1250.0	0.527	32
1275.0	0.538	31
1300.0	0.546	30
1325.0	0.556	29
1350.0	0.566	28
1375.0	0.576	27
1400.0	0.585	26
1425.0	0.593	25
1450.0	0.603	24
1475.0	0.612	23
1500.0	0.621	22
1525.0	0.630	21
1550.0	0.639	20
1575.0	0.647	19
1600.0	0.656	18
1625.0	0.664	17
1650.0	0.672	16
1675.0	0.679	15
1700.0	0.687	14
1725.0	0.684	13
1750.0	0.691	12
1775.0	0.697	11
1800.0	0.704	10
1825.0	0.712	9
1850.0	0.719	8
1875.0	0.726	7
1900.0	0.733	6
1925.0	0.740	5
1950.0	0.746	4
1975.0	0.755	3
2000.0	0.761	2



COMPANY SHELL AUSTRALIA  
 FIELD WILDCAT  
 WELL DEVIL FISH #1  
 COUNTRY AUSTRALIA