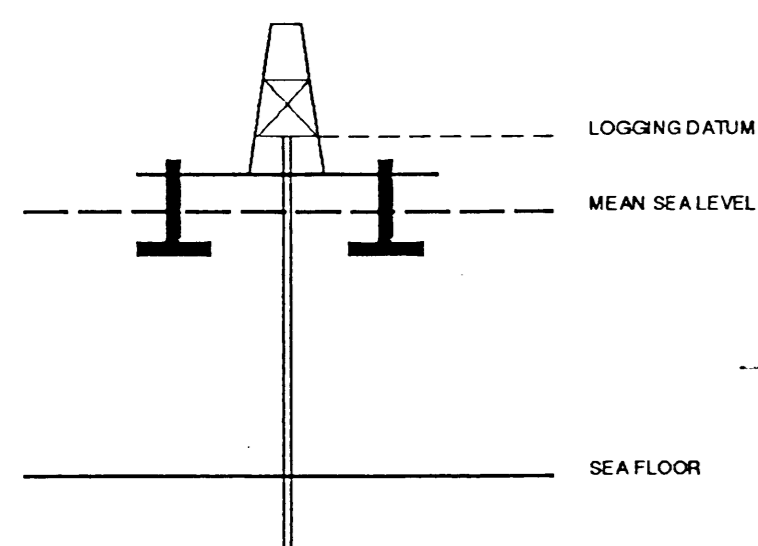


VERTICAL SEISMIC PROFILE

ZERO OFFSET VSP REVERSE POLARITY PLOT NO 9
VSP AND GEOGRAM COMPOSITE

Company: SHELL AUSTRALIA
Well: DEVIL FISH #1
Field: WILDCAT
Country: AUSTRALIA
Reference No: 56578 Interval: 2030.00 to 0.00
Date Logged: 22-APR-90 Date Processed: 2/5/90
Location: 38 47'58.21"S 147 55'10.54"E
Elevations: KB: 28.40 DF: 28.00 GL: -102.00
Permanent Datum: MSL Depth Units: METRES
FIELD RECORDING: Engineer: G.SUTHERLAND Location: Program Version: 32.2
COMPUTATION: Analyst: H.KURAGUCHI Centre: SVJ Baseline: 18.1133

ELEVATION ABOVE MEAN SEA LEVEL
Logging Datum: 28.40
Seismic Reference Datum: 0.00



Total Number of Levels: 47
Depth Reference: SRD
Time Reference: SRD

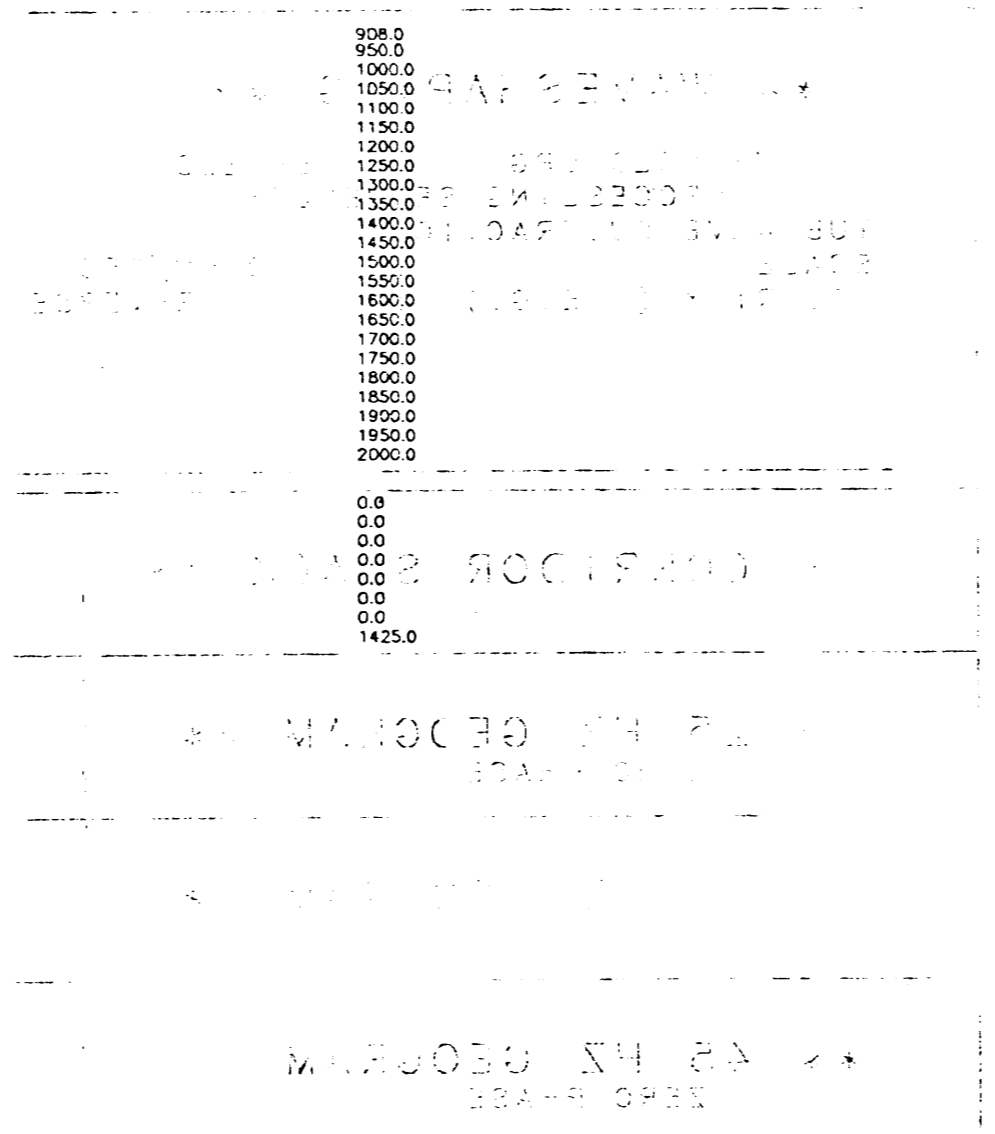
Run	Date	Tool Type	Bit Size/Depth	Casing Size/Depth	Top Depth	Bottom Depth
1	22-04-90	VST	8 1/2" / 2056 MTR	9 5/8" / 091 MTR	300	2800

VSP Run	Date	Gun Offset	Hydro Offset	Gun Elevation	Hydro Elevation	Gun Azimuth	Hydro Azimuth
1	22-04-90	60.0 M	60.0 M	10 M BELOW MSL	15 M BELOW MSL	200.0	200.0

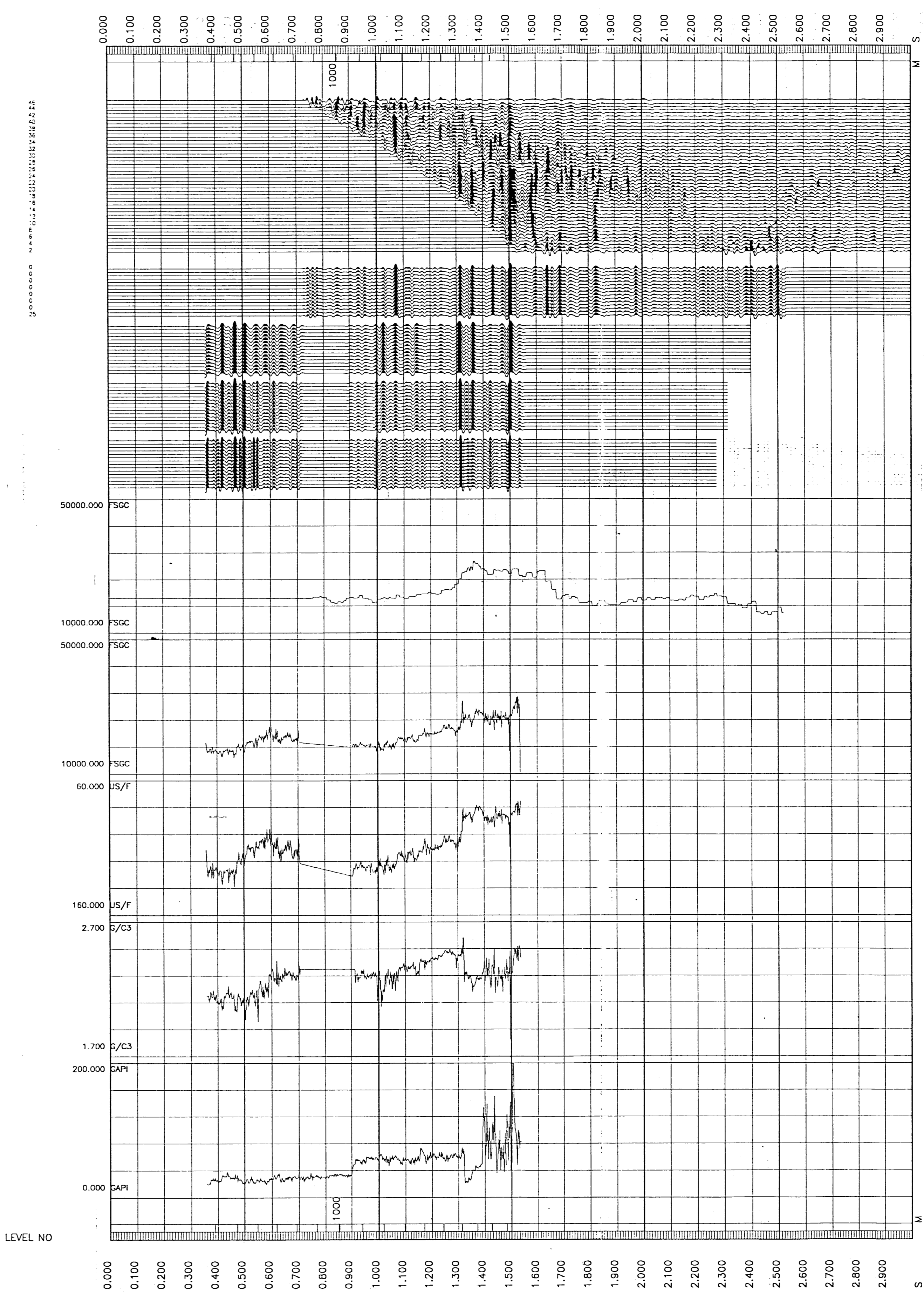
The well name, location and formation reference data were furnished by the customer.

CLIENT = SHELL
FIELD = WILDCAT
WELL = DEVIL FISH

- ** WAVESHAPING **
ENHANCED UPGOING WAVEFIELD PROCESSING SEQUENCE:
TUBEWAVE SUBTRACTION
SCALE : 10 CM/SEC
POLARITY (S.E.G.) : REVERSE
- ** CORRIDOR STACK **
- ** 25 HZ GEOGRAM **
ZERO PHASE
- ** 35 HZ GEOGRAM **
ZERO PHASE
- ** 45 HZ GEOGRAM **
ZERO PHASE
- ** INVERTED IMPEDANCE **
- ** LOGGED IMPEDANCE **
- ** SONIC **
- ** DENSITY **
- ** GAMMA RAY **



RAW DEPTH M
TRANSIT TIME S
LEVEL NO



COMPANY SHELL AUSTRALIA
FIELD WILDCAT
WELL DEVIL FISH #1
COUNTRY AUSTRALIA